

RAC Solo, the compact air conditioner without outdoor unit

A high-efficiency RAC Solo with a hyper-compact design that minimises aesthetic impact. Just 16,5 cm deep, easy to install and with DC Inverter technology to optimise performance.



Seamless integration, indoors and outdoors



Slim and compact full metal body.

Only 16,5 cm deep (indoor).



No outdoor unit.

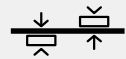
Just two 162 mm holes*.

* 202 mm for the biggest capacity.



Easy to install.

Stand-alone unit with no refrigerant connections.



Self-closing grille.

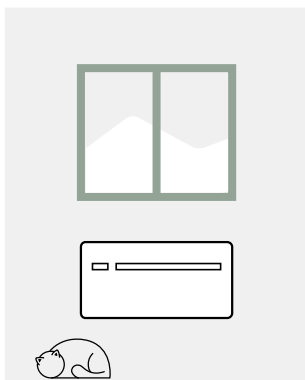
Open only during operation.

Easy and flexible installation, without outdoor unit

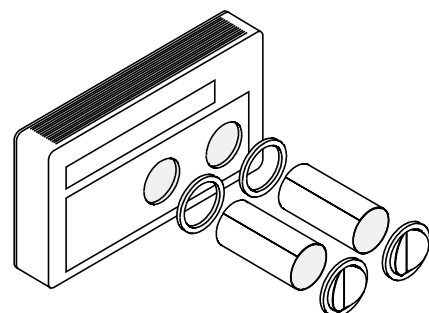
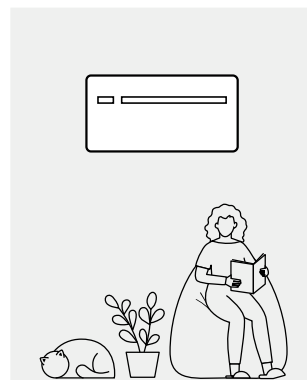
The RAC Solo range offers great installation flexibility as it is a stand-alone unit with no refrigerant connections during installation. The outdoor unit is replaced by two holes in the wall.

All you need is a perimeter wall, to exchange air with the outside. The unit can be placed high on the wall or low on the floor.

Down installation.



Overhead installation.



RAC Solo - R290 / R32

- Slim and compact, only 165 mm deep
- No outdoor unit
- Heating and cooling or cooling only modes available
- DC Inverter technology
- No frost system, with preheated condenser water tray
- Easy and flexible installation
- Wi-Fi control via the Aquarea Home App



Kit matt white			P-MOG16IC5-E	P-MOZ20IC5-E	P-MOZ25IC5-E	P-MOZ30IC5-E
Cooling capacity	Nominal (Min-Max)	kW	1,73(0,70-2,35)	2,09(0,83-2,64)	2,33(0,92-3,10)	2,87(1,40-3,50)
EER¹⁾	W/W		3,01 A	3,29 A+	3,25 A+	2,74 A
SEER ²⁾			4,60	4,70	4,60	4,10
Input power		kW	0,57	0,64	0,73	1,04
Heating capacity	Nominal (Min-Max)	kW	1,71(0,75-2,40)	2,08(0,71-2,64)	2,31(0,79-3,05)	2,75(1,35-3,50)
Heating capacity at -7 °C		kW	1,13	1,37	1,52	1,81
COP¹⁾	W/W		3,15 A	3,31 A+	3,28 A+	3,12 A
SCOP ²⁾			3,70	3,80	3,70	3,40
Input power		kW	0,54	0,63	0,71	0,88
Power supply		V	230	230	230	230
Maximum current		A	3,90	4,10	4,60	6,30
Air flow	Max / Average / Min	m ³ /min	6,0/5,0/4,0	6,3/5,2/4,3	6,7/5,3/4,5	7,5/5,8/5,0
External air flow	Max / Average / Min	m ³ /min	7,2/6,0/5,3	7,7/6,3/5,5	8,0/6,5/5,7	9,2/7,7/6,7
Moisture removal volume		L/h	0,7	0,8	0,9	1,2
Sound pressure ³⁾	Hi / Lo / Q-Lo	dB(A)	39/29/27	39/30/26	41/31/27	43/33/29
Outside sound pressure ³⁾	Hi / Lo	dB(A)	49/36	49/36	51/38	53/40
Refrigerant / charge		kg	R290 / 0,14	R32 / 0,5	R32 / 0,5	R32 / 0,5
Dimension	H x W x D	mm	549 x 810 x 165	549 x 1010 x 165	549 x 1010 x 165	549 x 1010 x 165
Net weight		kg	38	41	41	41
Wall hole diameter		mm	162	162	162	202
Distance between wall holes		mm	293	293	293	293
Operating range	Cool Min ~ Max	°C	-5 ~ +43	-5 ~ +43	-5 ~ +43	-5 ~ +43
	Heat Min ~ Max	°C	-15 ~ +18	-15 ~ +18	-15 ~ +18	-15 ~ +18

1) EER and COP in accordance to 626/2011. Scale A+++ to D. 2) SEER and SCOP in accordance to EN 14511. 3) The sound pressure shows the value measured at 2 m, according to ISO 7779.

Accessories

PCZ-GB0738	Kit of external aluminium grids with fixed fins (162 mm holes)
PCZ-GB1091	Kit of external aluminium grids with fixed fins (202 mm holes)
PCZ-GB0755	Insect protection kit (1 metal mesh, 1 grid in metal wire and fixing accessories)
PCZ-L00773	Side exit formwork for corner installation (right-hand outlet)

Accessories

PCZ-L00774	Side exit formwork for corner installation (left-hand outlet)
PCZ-GB0737	Bottom cover kit for overhead installation for P-MOZ20/25/30IC5-E
PCZ-GB1105	Bottom cover kit for overhead installation for P-MOG16IC5-E
PCZ-GB1119	Condensate drain pipe heater kit*

* Check availability.

The side installation kit, which must be embedded in the wall, allows the air flow to be redirected sideways for greater installation flexibility.



R290: For P-MOG16IC5-E. R32: For P-MOZ20IC5-E, P-MOZ25IC5-E and P-MOZ30IC5-E.

Rating conditions: Cooling indoor 27 °C DB / 19 °C WB. Cooling outdoor 35 °C DB / 24 °C WB. Heating indoor 20 °C DB. Heating outdoor 7 °C DB / 6 °C WB. (DB: Dry Bulb; WB: Wet Bulb). Specifications subject to change without notice. For detailed information about ErP / Energy Labelling, please visit our websites www.aircon.panasonic.eu or www.ptc.panasonic.eu.